

EMERGENCY AND EXIT LUMINAIRES



Introduction

Emergency lighting is lighting that operates in the event of a complete mains power failure. Also known as Escape Lighting, it is to facilitate safe exit from the building when normal lighting fails. It is meant to prevent panic and allow safe passage of people from an enclosed area in an emergency and to enable Fire Wardens and Fire and Rescue Service to search the building and locate missing people. In short, the purpose of an emergency lighting system is to protect and safeguard life.

Emergency lighting must:

- Indicate the escape routes clearly
- Provide illumination along such routes to allow safe movement towards and through the exits provided
- Ensure that fire alarm call points and fire fighting equipment provided along the escape routes can be readily located
- Permit operations concerned with safety measures

Once commissioned and operational, the emergency lighting system must function correctly throughout its lifetime and will, therefore, require ongoing management, maintenance, and testing.

Why Teknoware

As with any life safety products where human lives and property are at stake, it is critical to have an emergency lighting system that is reliable and incorporates all the relevant standards.

When choosing a partner for emergency lighting you need a supplier who is capable of delivering a dependable solution. By choosing Teknoware as your partner, not only are you choosing a certified excellent product but a team of diligent sales & customer professionals and, design & estimation engineers dedicated to provide you the best. Your project, system and eventually your people are in safe hands.

How do I get more information:

ESCALUX by Teknoware products are available through a network of distributors.

Exenture Europe BV

Banjaard 2, 2134 WS Hoofddorp, Netherlands

Tel.: +31328-815-587

info@exentureglobal.com | www.exentureworld.com

ESCALUX from Teknoware

ESCALUX is the new range of Self Contained Emergency Lighting products from Teknoware. Teknoware is an internationally known electronics company that designs and manufactures lighting systems for vehicles and emergency lightings systems for buildings and ships. Based in Lahti, Finland, Teknoware products are sold in over 50 countries across the world. We employ approximately 600 people at our factories in Lahti, Finland as well as in Connecticut in USA and Siechnice in Poland.



Let there be confidence:

The only reliable way to take care of the conformity of the emergency lighting product is for measurements to be according to the appropriate standard and using calibrated measuring equipments.

With ESCALUX you get a versatile and high quality range of emergency lighting products that you can rely on.

Teknoware Middle East, Africa, India and, Asia-Pacific

Teknoware Middle East is the regional office for Teknoware Oy. Established in 2008 the office is responsible for the promotion of emergency lighting systems in the Middle East, Africa, the Indian Sub-continent and Asia.

The office is ISO9001 certified and serves as a Center of Excellence for Teknoware in the region. Manned by a team of dedicated sales and customer service professionals, including design & estimation engineers, we have the ability to provide you with proper and timely information on all aspects of design and product selection helping you stay on schedule, in compliance to local standards and regulations and within budgets on your project

Index.

Aura ESC0911L-M	5
Ziya ESC0963L-NM	6
Elora ESC0952L-NM	7
Aconite ESC4062L-NM	8
Lior ESC0913L-M	9
Cyan (Mini) ESC0631	10
Cyan (Standard) ESC0632	11
Cyan (Large) ESC0633	12
Lucent ESC2061	13
Lucent ESC2062	14
Lucent ESC2063	15
Lucent ESC2064	16
Satin ESC0135	17
Capri ESC0338	18
Amber ESC02128	19
Amber ESC0235	20
Chrome ESC04381	21
Chrome ESC04382	22

Specifications are subject to change without notice.

For further information, please contact:

Exenture Europe BV

Banjaard 2, 2134 WS Hoofddorp, Netherlands

Tel.: +31328-815-587

info@exentureglobal.com | www.exentureworld.com

Cedar ESC2073	23
Cedar ESC2081	24
Cedar ESC2082	25
Cedar ESC2083	26
Cedar ESC2084	27
Design Considerations & Concepts	28
Key Teknoware References	30
Standard Conditions for Sale	34

Specifications are subject to change without notice.

For further information, please contact:

Exenture Europe BV
Banjaard 2, 2134 WS Hoofddorp, Netherlands
Tel.: +31328-815-587
info@exentureglobal.com | www.exentureworld.com



AURA ESC0911L-M/S

Supply Voltage	220-240VAC 50/60Hz
Wattage	4W
Battery Specifications	3.6V 1.5Ah Ni-Cad Battery
Light Source	10 pcs LED
Emergency Time	3 hours
Charging Time	24 hours
Emergency Mode	Maintained/Non Maintained
Operating Temperature	0°-40°C
Mounting Options	Wall Mount/Ceiling Mount/ Surface Mount
Luminous Flux	190lm
Viewing Distance	30m [ceiling mount] 25m [wall mount]
Color Temperature	6000K
IP Rating	IP65
Material	Polycarbonate body and diffuser
Product dimensions (In mm)	352x110x218 [ceiling mounted exit] 352x110x55 [emergency/ wall mounted exit]



IP 65



Light Source
LED



TUV Rheinland
TUV
Certified



Recycle as
appropriate



0°-40°C



3 hours

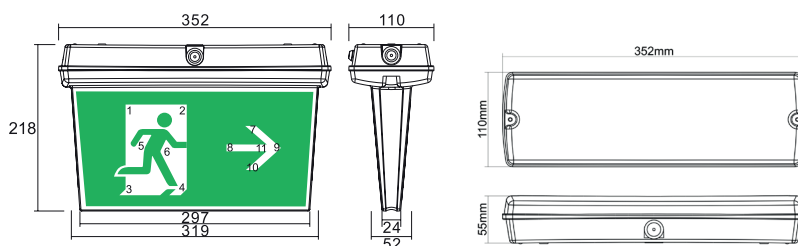
Key Features:

- High precision moulded housing made from fire retardant ABS housing
- Uses highly active LED light source
- High brightness, Long life
- Easy installation and maintenance
- Rated to IP65
- Can be used as emergency luminaire & exit luminaire

Ordering Codes:

ESC0911L-M -
Emergency luminaire, Surface Mount
Exit luminaire, Wall Mount
Exit luminaire, Ceiling Mount

Product Size: (L X W X H)



Accessories:

- Semi-recess mounting frame
- Pictograms:
 - ▶ Right arrow
 - ▶ Left arrow
 - ▶ Down arrow
 - ▶ Right/Left (double sided) arrow



Luminaire Options: M - Maintained NM - Non Maintained S - Slave

Specifications are subject to change without notice.

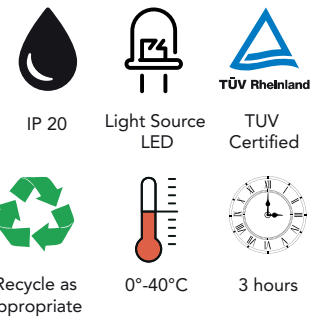
For further information, please contact:

Exenture Europe BV
Banjaard 2, 2134 WS Hoofddorp, Netherlands
Tel.: +31328-815-587
info@exentureglobal.com | www.exentureworld.com



ZIYA ESC0963L-NM/S

Supply Voltage	220-240VAC 50/60Hz
Wattage	3.1W
Battery Specifications	3.6V 4.5Ah Ni-Cad Battery
Light Source	1pc LED
Emergency Time	3 hours
Charging Time	24 hours
Emergency Mode	Non Maintained
Operating Temperature	0°-40°C
Mounting Options	Recess Mount
Luminous Flux	210lm
Color Temperature	6000K
IP Rating	IP20
Material	Polycarbonate body and lamp head
Product dimensions (In mm)	PCB: 213 X 50 X 33 Battery: Ø30 X 180 Lamp Head: Ø85 X 68



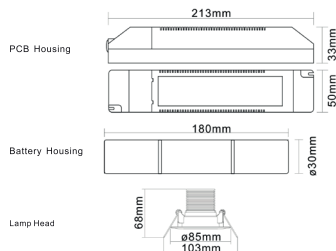
Key Features:

- Polycarbonate body and lamp head.
- Uses highly active LED light source
- High brightness, Long life
- Easy installation and maintenance
- Rated to IP20

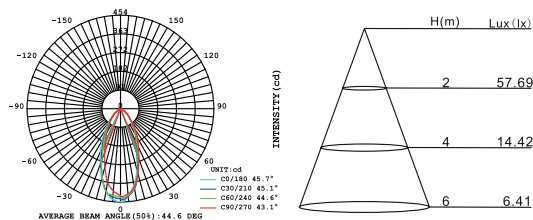
Ordering Codes:

ESC0963L-NM -
Emergency luminaire, Recess Mount

Product Size: (L X W X H)



Luminous Efficiency



Luminaire Options: M - Maintained NM - Non Maintained S - Slave

Specifications are subject to change without notice.

For further information, please contact:
Exenture Europe BV
Banjaard 2, 2134 WS Hoofddorp, Netherlands
Tel.: +31328-815-587
info@exentureglobal.com | www.exentureworld.com



ELORA ESC0952L-NM/S

Supply Voltage	220-240VAC 50/60Hz
Wattage	1.6W
Battery Specifications	3.6V 1.5Ah Ni-Cad Battery
Light Source	50 pcs White LED
Emergency Time	3 hours
Charging Time	24 hours
Emergency Mode	Non Maintained
Operating Temperature	0°-40°C
Mounting Options	Recess Mount
Luminous Flux	110lm
Color Temperature	6000K
IP Rating	IP20
Material	Steel body with polycarbonate prismatic diffuser
Product dimensions (In mm)	412x143x90



IP 20



Light Source LED



TUV Certified



Recycle as appropriate



0°-40°C



3 hours

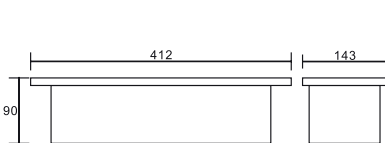
Key Features:

- Steel body with polycarbonate prismatic diffuser
- Uses highly active LED light source
- Easy installation and maintenance
- Rated to IP20

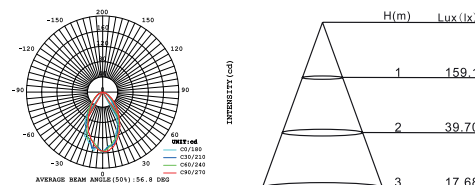
Ordering Codes:

ESC0952L-NM -
 Emergency luminaire, Recess Mount

Product Size: (L X W X H)



Luminous Efficiency



Luminaire Options: M - Maintained NM - Non Maintained S - Slave

Specifications are subject to change without notice.

For further information, please contact:

Exenture Europe BV
 Banjaard 2, 2134 WS Hoofddorp, Netherlands
 Tel.: +31328-815-587
 info@exentureglobal.com | www.exentureworld.com



ACONITE ESC4062L-NM/S

Supply Voltage	220-240VAC 50/60Hz
Wattage	3W
Battery Specifications	3.6V 3.0Ah Ni-Cad Battery
Light Source	2x30 pcs White LED
Emergency Time	3 hours
Charging Time	24 hours
Emergency Mode	Non Maintained
Operating Temperature	0°-40°C
Mounting Options	Wall Mount
Luminous Flux	220lm
Color Temperature	6000K
IP Rating	IP65
Material	Polycarbonate body
Product dimensions (In mm)	292x68x279



IP 65



Light Source LED



TUV Certified



Recycle as appropriate



0°-40°C



3 hours

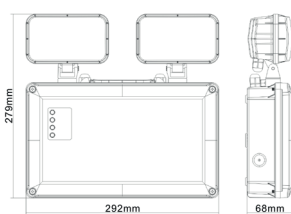
Key Features:

- Polycarbonate body
- Uses highly active LED light source
- High brightness, Long life
- Easy installation and maintenance
- Rated to IP65

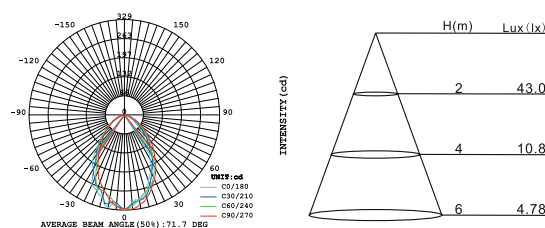
Ordering Codes:

ESC4062L-NM -
 Emergency luminaire, Wall Mount

Product Size: (L X W X H)



Luminous Efficiency



Luminaire Options: M - Maintained NM - Non Maintained S - Slave

Specifications are subject to change without notice.

For further information, please contact:

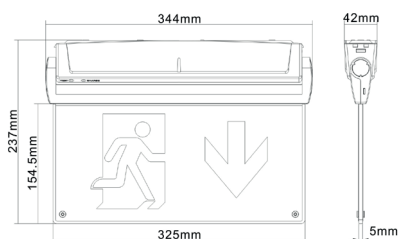
Exenture Europe BV
 Banjaard 2, 2134 WS Hoofddorp, Netherlands
 Tel.: +31328-815-587
 info@exentureglobal.com | www.exentureworld.com



LIOR ESC0913L-M/S

Supply Voltage	220-240VAC 50/60Hz
Wattage	3W
Battery Specifications	3.6V 0.8Ah Ni-Cad Battery
Light Source	15 pcs LED
Emergency Time	3 hours
Charging Time	24 hours
Emergency Mode	Maintained
Operating Temperature	0°-40°C
Mounting Options	Wall Mount/Ceiling Mount/ Recess Mount
Viewing Distance	30m
Color Temperature	6000K
IP Rating	IP20
Material	Polycarbonate body and double sided edge lit acrylic legend
Product dimensions (In mm)	344x42x237

Product Size: (L X W X H)



IP 20



Light Source
LED



TUV
Rheinland
Certified



Recycle as
appropriate



0°-40°C



3 hours

Key Features:

- Polycarbonate body and double sided edge lit acrylic legend
- Uses highly active LED light source
- Long life
- Easy installation and maintenance
- Rated to IP20

Ordering Codes:

ESC0913L-NM -
Exit luminaire, Wall/Ceiling Mount

Accessories:

- Recess bracket frame
- Flag bracket
- Pictograms:
 - ▶ Right arrow
 - ▶ Left arrow
 - ▶ Down arrow
 - ▶ Right/Left (double sided) arrow



Luminaire Options: M - Maintained NM - Non Maintained S - Slave

Specifications are subject to change without notice.

For further information, please contact:

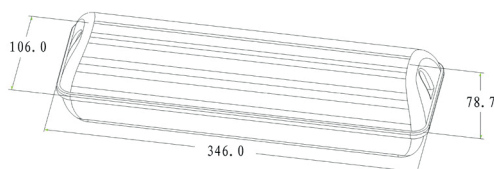
Exenture Europe BV
 Banjaard 2, 2134 WS Hoofddorp, Netherlands
 Tel.: +31328-815-587
 info@exentureglobal.com | www.exentureworld.com



CYAN (MINI) ESC0631

Supply Voltage	220-240VAC 50-60Hz
Wattage	7W
Battery Specifications	3.6V 3Ah Ni-Cad Battery
Light Source	20pcs LED
Emergency Time	3 hours
Charging Time	24 hours
Emergency Mode	Non Maintained
Operating Temperature	-5°-45°C
Mounting Options	Wall Mount/Surface Mount/ Semi-Recess Mount
Luminous Flux	180lm
Color Temperature	6000-6500k
IP Rating	IP54
Material	Fire retardant ABS housing
Product dimensions (ln mm)	346x106x78.7

Product Size: (L X W X H)



IP 54



Light Source
LED



UL
Listed



Recycle as
appropriate



-5°-45°C



3 hours

Key Features:

- High precision moulding, fire retardant ABS housing
- Semi-recessed option available
- Uses highly active LED light source
- High brightness, Long life
- Easy installation and maintenance
- Rated to IP54

Ordering Codes:

ESC0631 -
Emergency luminaire, Surface Mount

Accessories:

- Semi-recess mounting frame

Specifications are subject to change without notice.

For further information, please contact:

Exenture Europe BV
 Banjaard 2, 2134 WS Hoofddorp, Netherlands
 Tel.: +31328-815-587
 info@exentureglobal.com | www.exentureworld.com



CYAN (STANDARD) ESC0632

Supply Voltage	220-240VAC 50-60Hz
Wattage	7W
Battery Specifications	3.6V 3Ah Ni-Cad Battery
Light Source	20pcs LED
Emergency Time	3 hours
Charging Time	24 hours
Emergency Mode	Non Maintained/Maintained*
Operating Temperature	-5°-45°C
Mounting Options	Wall Mount/Surface Mount/ Semi-Recess Mount
Luminous Flux	180lm
Color Temperature	6000-6500k
IP Rating	IP65
Material	Fire retardant ABS housing
Product dimensions (In mm)	354.4x117.8x77.8



IP 65



Light Source
LED



UL
Listed



Recycle as
appropriate



-5°-45°C



3 hours

Key Features:

- High precision moulding, fire retardant ABS housing
- Semi-recessed option available
- Uses highly active LED light source
- High brightness, Long life
- Easy installation and maintenance
- Rated to IP65

Ordering Codes:

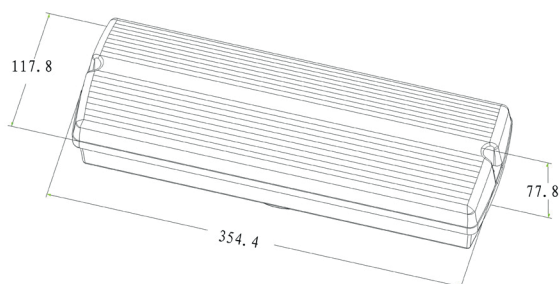
ESC0632 -
Emergency luminaire, Surface Mount

Accessories:

- Semi-recess mounting frame
- Pictograms:
 - ▶ Right arrow
 - ▶ Left arrow
 - ▶ Down arrow



Product Size: (L X W X H)



*Maintained exit light available on request

Specifications are subject to change without notice.
For further information, please contact:

Exenture Europe BV
Banjaard 2, 2134 WS Hoofddorp, Netherlands
Tel.: +31328-815-587
info@exentureglobal.com | www.exentureworld.com



CYAN (LARGE) ESC0633

Supply Voltage	220-240VAC 50-60Hz
Wattage	7W
Battery Specifications	3.6V 3Ah Ni-Cad Battery
Light Source	20pcs LED
Emergency Time	3 hours
Charging Time	24 hours
Emergency Mode	Non Maintained
Operating Temperature	-5°-45°C
Mounting Options	Wall Mount/Surface Mount/ Semi-Recess Mount
Luminous Flux	180lm
Color Temperature	6000-6500k
IP Rating	IP20
Material	Fire retardant ABS housing
Product dimensions (In mm)	331x105x78.6



IP 20



Light Source
LED



UL
Listed



Recycle as
appropriate



-5°-45°C



3 hours

Key Features:

- High precision moulding, fire retardant ABS housing
- Semi-recessed option available
- Uses highly active LED light source
- High brightness, Long life
- Easy installation and maintenance
- Rated to IP20

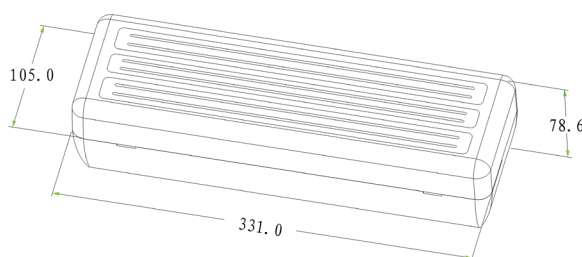
Ordering Codes:

ESC0633 -
Emergency luminaire, Surface Mount

Accessories:

- Semi-recess mounting frame

Product Size: (L X W X H)



Specifications are subject to change without notice.

For further information, please contact:

Exenture Europe BV
 Banjaard 2, 2134 WS Hoofddorp, Netherlands
 Tel.: +31328-815-587
 info@exentureglobal.com | www.exentureworld.com



LUCENT ESC2061

Supply Voltage	220-240VAC 50-60Hz
Wattage	6W
Battery Specifications	6V 4.5Ah Lead Acid Battery
Light Source	2x10pcs LED
Emergency Time	3 hours
Charging Time	24 hours
Emergency Mode	Non Maintained
Operating Temperature	-10°-45°C
Mounting Options	Wall Mount
Luminous Flux	220lm
Color Temperature	6000-6500k
IP Rating	IP44
Material	Fire retardant ABS housing
Product dimensions (In mm)	408.5x130.3x87.3



IP 44



Light Source
LED



UL
Listed



Recycle as
appropriate



-10°-45°C



3 hours

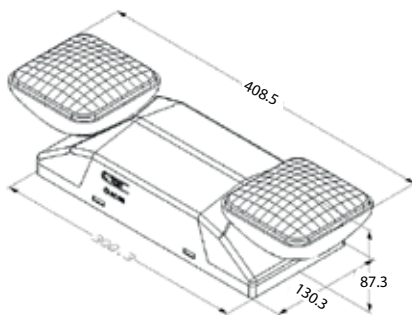
Key Features:

- High precision moulding, fire retardant ABS housing
- Innovative design, Universal mounting
- Uses highly active LED light source
- High brightness, Long life
- Fully adjustable square shaped light
- Rated to IP44

Ordering Codes:

ESC2061 -
Emergency luminaire, Wall Mount

Product Size: (L X W X H)



Specifications are subject to change without notice.

For further information, please contact:

Exenture Europe BV
Banjaard 2, 2134 WS Hoofddorp, Netherlands
Tel.: +31328-815-587
info@exentureglobal.com | www.exentureworld.com



LUCENT ESC2062

Supply Voltage	220-240VAC 50-60Hz
Wattage	6W
Battery Specifications	6V 4.5Ah Lead Acid Battery
Light Source	2x10pcs LED
Emergency Time	3 hours
Charging Time	24 hours
Emergency Mode	Non Maintained
Operating Temperature	-10°-45°C
Mounting Options	Wall Mount
Luminous Flux	220lm
Color Temperature	6000-6500k
IP Rating	IP44
Material	Fire retardant ABS housing
Product dimensions (In mm)	408.5x130.3x103.4



IP 44



Light Source
LED



UL
Listed



Recycle as
appropriate



-10°-45°C



3 hours

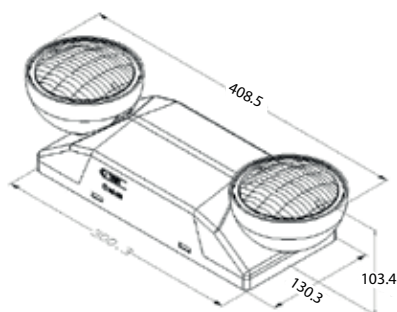
Key Features:

- High precision moulding, fire retardant ABS housing
- Innovative design, Universal mounting
- Uses highly active LED light source
- High brightness, Long life
- Fully adjustable round shaped light
- Rated to IP44

Ordering Codes:

ESC2062 -
 Emergency luminaire, Wall Mount

Product Size: (L X W X H)



Specifications are subject to change without notice.



LUCENT ESC2063

Supply Voltage	220-240VAC 50-60Hz
Wattage	6W
Battery Specifications	6V 4.5Ah Lead Acid Battery
Light Source	2x10pcs LED
Emergency Time	3 hours
Charging Time	24 hours
Emergency Mode	Non Maintained
Operating Temperature	-10°-45°C
Mounting Options	Wall Mount/Surface Mount
Luminous Flux	220lm
Color Temperature	6000-6500k
IP Rating	IP44
Material	Fire retardant ABS housing
Product dimensions (In mm)	300.3x130.3x69



IP 44



Light Source
LED



UL
Listed



Recycle as
appropriate



-10°-45°C



3 hours

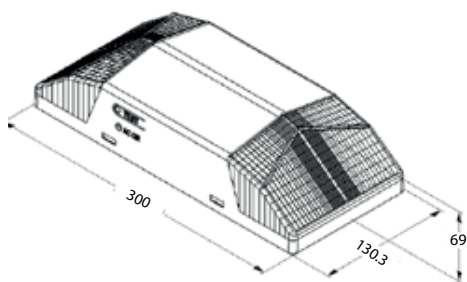
Key Features:

- High precision moulding, fire retardant ABS housing
- Innovative design, Universal mounting
- Uses highly active LED light source
- High brightness, Long life
- Rated to IP44

Ordering Codes:

ESC2063 -
 Emergency luminaire, Wall/Surface Mount

Product Size: (L X W X H)



Specifications are subject to change without notice.
 For further information, please contact:

Exenture Europe BV
 Banjaard 2, 2134 WS Hoofddorp, Netherlands
 Tel.: +31328-815-587
 info@exentureglobal.com | www.exentureworld.com



LUCENT ESC2064

Supply Voltage	220-240VAC 50-60Hz
Wattage	6W
Battery Specifications	6V 4.5Ah Lead Acid Battery
Light Source	2x10pcs LED
Emergency Time	3 hours
Charging Time	24 hours
Emergency Mode	Non Maintained
Operating Temperature	-10°-45°C
Mounting Options	Wall Mount/Ceiling Mount
Luminous Flux	220lm
Color Temperature	6000-6500k
IP Rating	IP44
Material	Fire retardant ABS housing
Product dimensions (In mm)	317x139.7x95.2



IP 54



Light Source
LED



UL
Listed



Recycle as
appropriate



-10°-45°C



3 hours

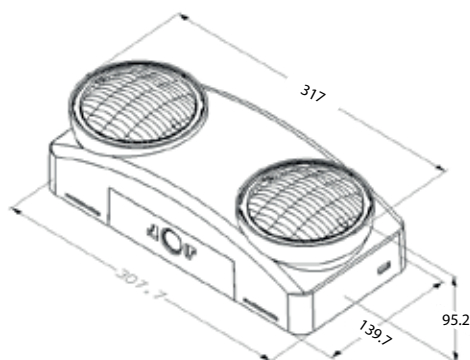
Key Features:

- High precision moulding, fire retardant ABS housing
- Innovative design, Universal mounting
- Uses highly active LED light source
- High brightness, Long life
- Adjustable round shaped light
- Rated to IP44

Ordering Codes:

ESC2064 -
 Emergency luminaire, Wall/Ceiling Mount

Product Size: (L X W X H)



Specifications are subject to change without notice.
 For further information, please contact:

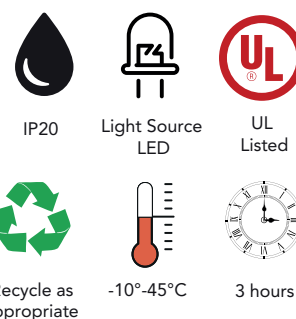
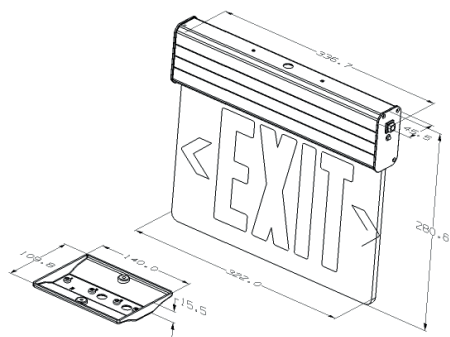
Exenture Europe BV
 Banjaard 2, 2134 WS Hoofddorp, Netherlands
 Tel.: +31328-815-587
 info@exentureglobal.com | www.exentureworld.com



SATIN ESC0135

Supply Voltage	220-240VAC 50-60Hz
Wattage	5W
Battery Specifications	4.8V 6.5Ah Ni-Cad Battery
Light Source	12pcs LED
Emergency Time	3 hours
Charging Time	24 hours
Emergency Mode	Maintained
Operating Temperature	-10°-45°C
Mounting Options	Wall Mount/Ceiling Mount/ Flag Mount
Viewing Distance	30m
Color Temperature	6000-6500k
IP Rating	IP20
Material	White aluminium alloy housing with acrylic glass pictogram
Product dimensions (In mm)	336.7x45.5x280.8

Product Size: (L X W X H)



Key Features:

- White Aluminium Alloy housing with acrylic glass with running man & directional arrow
- Uses highly active LED light source
- Long life
- Innovative design, Universal mounting
- Rated to IP20

Ordering Codes:

ESC0135 -
Exit luminaire, Wall/Ceiling/Flag Mount

Specifications are subject to change without notice.

For further information, please contact:

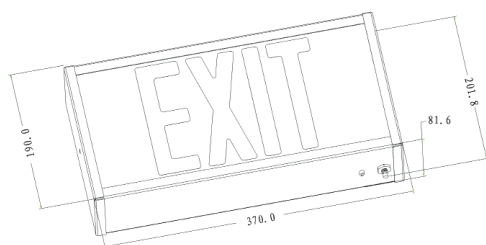
Exenture Europe BV
 Banjaard 2, 2134 WS Hoofddorp, Netherlands
 Tel.: +31328-815-587
 info@exentureglobal.com | www.exentureworld.com



CAPRI ESC0338

Supply Voltage	220-240VAC 50-60Hz
Wattage	8W
Battery Specifications	3.6V 2.8Ah Ni-Cad Battery
Light Source	20pcs LED
Emergency Time	3 hours
Charging Time	24 hours
Emergency Mode	Maintained
Operating Temperature	-10°-45°C
Mounting Options	Wall Mount
Viewing Distance	24m
Color Temperature	6000-6500k
IP Rating	IP44
Material	Steel case, transparent acrylic pictogram
Product dimensions (In mm)	370x81.6x201.8

Product Size: (L X W X H)



IP 44



Light Source
LED



UL
Listed



Recycle as
appropriate



-10°-45°C



3 hours

Key Features:

- Steel case, transparent acrylic pictogram
- Fire Structure
- Uses highly active LED light source
- Long life
- Innovative design, Universal mounting
- Rated to IP44

Ordering Codes:

ESC0338 -
Exit luminaire, Wall Mount

Specifications are subject to change without notice.
 For further information, please contact:

Exenture Europe BV
 Banjaard 2, 2134 WS Hoofddorp, Netherlands
 Tel.: +31328-815-587
 info@exentureglobal.com | www.exentureworld.com



AMBER ESC02128

Supply Voltage	220-240VAC 50-60Hz
Wattage	8W
Battery Specifications	4.8V 6.5Ah Lead Acid Battery
Light Source	12PCS LED
Emergency Time	3 hours
Charging Time	24 hours
Emergency Mode	Maintained
Operating Temperature	-10°-45°C
Mounting Options	Wall Mount/Ceiling Mount/ Side Mount
Viewing Distance	40m
Color Temperature	6000-6500k
IP Rating	IP44
Material	Fire retardant ABS housing
Product dimensions (In mm)	336x65.1x259



IP 44



Light Source
LED



UL
Listed



Recycle as
appropriate



-10°-45°C



3 hours

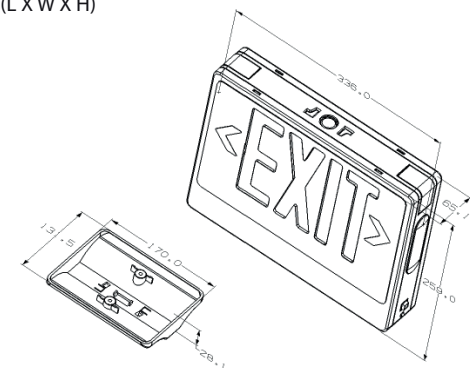
Key Features:

- Fire retardant ABS housing
- Replaceable directional arrow inserts
- Uses highly active LED light source
- Long life
- Innovative design, Universal mounting
- Single or double face configuration
- Rated to IP44

Ordering Codes:

ESC02128 -
Exit luminaire, Wall/Ceiling/Side Mount

Product Size: (L X W X H)



Specifications are subject to change without notice.

For further information, please contact:

Exenture Europe BV
 Banjaard 2, 2134 WS Hoofddorp, Netherlands
 Tel.: +31328-815-587
 info@exentureglobal.com | www.exentureworld.com



AMBER ESC0235

Supply Voltage	220-240VAC 50-60Hz
Wattage	8W
Battery Specifications	4.8V 6.5Ah NiCad Battery
Light Source	12PCS LED
Emergency Time	3 hours
Charging Time	24 hours
Emergency Mode	Maintained
Operating Temperature	-10°-45°C
Mounting Options	Wall Mount/Ceiling Mount/ Side Mount
Viewing Distance	24m
Color Temperature	6000-6500k
IP Rating	IP44
Material	Fire retardant ABS housing
Product dimensions (In mm)	308.4x43.4x220.0



IP 44



Light Source
LED



UL
Listed



Recycle as
appropriate



-10°-45°C



3 hours

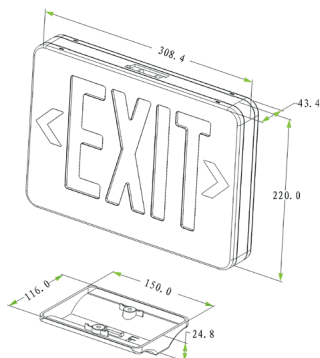
Key Features:

- Fire retardant ABS housing
- Replaceable directional arrow inserts
- Uses highly active LED light source
- Long life
- Innovative design, Universal mounting
- Single or double face configuration
- Rated to IP44

Ordering Codes:

ESC0235 -
Exit luminaire, Wall/Ceiling/Side Mount

Product Size: (L X W X H)



Specifications are subject to change without notice.

For further information, please contact:

Exenture Europe BV
 Banjaard 2, 2134 WS Hoofddorp, Netherlands
 Tel.: +31328-815-587
 info@exentureglobal.com | www.exentureworld.com



CHROME ESC04381

Supply Voltage	220-240VAC 50-60Hz
Wattage	8W
Battery Specifications	4.8V 6.5Ah Ni-Cad Battery
Light Source	12PCS LED
Emergency Time	3 hours
Charging Time	24 hours
Emergency Mode	Maintained
Operating Temperature	-10°-45°C
Mounting Options	Wall Mount/Ceiling Mount/ Side Mount
Viewing Distance	30m
Color Temperature	6000-6500k
IP Rating	IP44
Material	Fire retardant ABS housing
Product dimensions (In mm)	308.4x43.4x220



IP 44



Light Source
LED



UL
Listed



Recycle as
appropriate



-10°-45°C



3 hours

Key Features:

- Fire retardant ABS housing
- Replaceable directional arrow inserts
- Uses highly active LED light source
- Long life
- Innovative design, Universal mounting
- Single or double face configuration
- Rated to IP44

Ordering Codes:

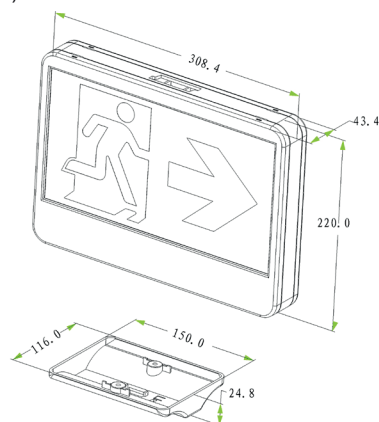
ESC04381 -
Exit luminaire, Wall/Ceiling/Flag Mount

Accessories:

- Flag bracket
- Pictograms:
 - ▶ Right arrow
 - ▶ Left arrow
 - ▶ Right/Left (double sided) arrow



Product Size: (L X W X H)



Specifications are subject to change without notice.
 For further information, please contact:

Exenture Europe BV
 Banjaard 2, 2134 WS Hoofddorp, Netherlands
 Tel.: +31328-815-587
 info@exentureglobal.com | www.exentureworld.com



CHROME ESC04382

Supply Voltage	220-240VAC 50-60Hz
Wattage	8W
Battery Specifications	4.8V 6.5Ah Ni-Cad Battery
Light Source	12PCS LED
Emergency Time	3 hours
Charging Time	24 hours
Emergency Mode	Maintained
Operating Temperature	-10°-45°C
Mounting Options	Wall Mount/Ceiling Mount/ Side Mount
Viewing Distance	30m
Color Temperature	6000-6500k
IP Rating	IP44
Material	Fire retardant ABS housing
Product dimensions (In mm)	308.4x43.4x220



IP 44



Light Source
LED



UL
Listed



Recycle as
appropriate



-10°-45°C



3 hours

Key Features:

- Fire retardant ABS housing
- Replaceable directional arrow inserts
- Uses highly active LED light source
- Long life
- Innovative design, Universal mounting
- Single or double face configuration
- Rated to IP44

Ordering Codes:

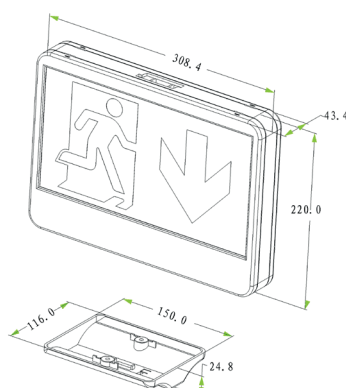
ESC04382 -
Exit luminaire, Wall/Ceiling/Flag Mount

Accessories:

- Flag bracket
- Pictograms:
 - ▶ Down arrow



Product Size: (L X W X H)



Specifications are subject to change without notice.

For further information, please contact:

Exenture Europe BV
Banjaard 2, 2134 WS Hoofddorp, Netherlands
Tel.: +31328-815-587
info@exentureglobal.com | www.exentureworld.com



CEDAR ESC2073

Supply Voltage	220-240VAC 50-60Hz
Wattage	7W
Battery Specifications	6V 4.5Ah Lead Acid Battery
Light Source	12pcs LED
Emergency Time	3 hours
Charging Time	24 hours
Emergency Mode	Maintained
Operating Temperature	-10°-45°C
Mounting Options	Wall Mount
Viewing Distance	30m
Luminous Flux	200lm
Color Temperature	6000-6500k
IP Rating	IP44
Material	Fire retardant ABS housing
Product dimensions (In mm)	317x95.1x362.3



IP 44



Light Source
LED



UL
Listed



Recycle as
appropriate



-10°-45°C



3 hours

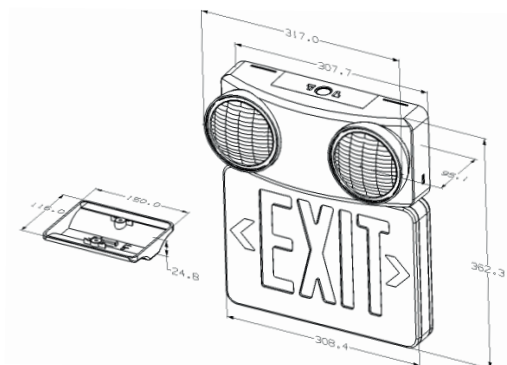
Key Features:

- Fire retardant ABS housing
- Innovative design, Universal mounting
- Uses highly active LED light source
- Long life
- Two adjustable round shaped light
- Rated to IP44

Ordering Codes:

ESC2073 (Round) -
 Emergency & Exit luminaire, Wall Mount

Product Size: (L X W X H)



Specifications are subject to change without notice.
 For further information, please contact:

Exenture Europe BV
 Banjaard 2, 2134 WS Hoofddorp, Netherlands
 Tel.: +31328-815-587
 info@exentureglobal.com | www.exentureworld.com



CEDAR ESC2081

Supply Voltage	220-240VAC 50-60Hz
Wattage	8W
Battery Specifications	6V 4.5Ah Lead Acid Battery
Light Source	12pcs LED
Emergency Time	3 hours
Charging Time	24 hours
Emergency Mode	Maintained
Operating Temperature	-10°-45°C
Mounting Options	Wall Mount
Viewing Distance	30m
Luminous Flux	200lm
Color Temperature	6000-6500k
IP Rating	IP44
Material	Fire retardant ABS housing
Product dimensions (In mm)	608.6x118.2x398.3



IP 44



Light Source
LED



UL
Listed



Recycle as
appropriate



-10°-45°C



3 hours

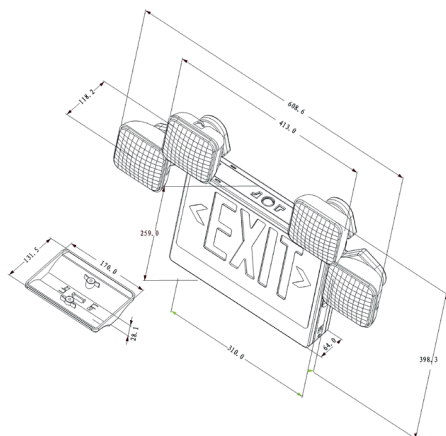
Key Features:

- Fire retardant ABS housing
- Innovative design, Universal mounting
- Uses highly active LED light source
- Long life
- Two fully adjustable square shaped light
- Rated to IP44

Ordering Codes:

ESC2081 (Square) -
Emergency & Exit luminaire, Wall Mount

Product Size: (L X W X H)



Specifications are subject to change without notice.

For further information, please contact:

Exenture Europe BV
Banjaard 2, 2134 WS Hoofddorp, Netherlands
Tel.: +31328-815-587
info@exentureglobal.com | www.exentureworld.com



CEDAR ESC2082

Supply Voltage	220-240VAC 50-60Hz
Wattage	8W
Battery Specifications	6V 4.5Ah Lead Acid Battery
Light Source	12pcs LED
Emergency Time	3 hours
Charging Time	24 hours
Emergency Mode	Maintained
Operating Temperature	-10°-45°C
Mounting Options	Wall Mount
Viewing Distance	30m
Luminous Flux	200lm
Color Temperature	6000-6500k
IP Rating	IP44
Material	Fire retardant ABS housing
Product dimensions (In mm)	612.3x119.1x400.1



IP 44



Light Source
LED



UL
Listed



Recycle as
appropriate



-10°-45°C



3 hours

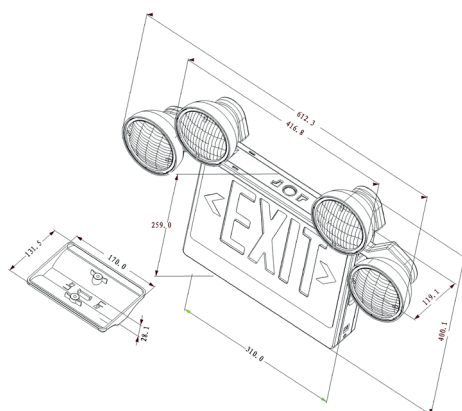
Key Features:

- Fire retardant ABS housing
- Innovative design, Universal mounting
- Uses highly active LED light source
- Long life
- Two adjustable round shaped light
- Rated to IP44

Ordering Codes:

ESC2082 (Round) -
Emergency & Exit luminaire, Wall Mount

Product Size: (L X W X H)



Specifications are subject to change without notice.

For further information, please contact:

Exenture Europe BV
 Banjaard 2, 2134 WS Hoofddorp, Netherlands
 Tel.: +31328-815-587
 info@exentureglobal.com | www.exentureworld.com



CEDAR ESC2083

Supply Voltage	220-240VAC 50-60Hz
Wattage	8W
Battery Specifications	6V 4.5Ah Lead Acid Battery
Light Source	12pcs LED
Emergency Time	3 hours
Charging Time	24 hours
Emergency Mode	Maintained
Operating Temperature	-10°-45°C
Mounting Options	Wall Mount
Viewing Distance	30m
Luminous Flux	200lm
Color Temperature	6000-6500k
IP Rating	IP44
Material	Fire retardant ABS housing
Product dimensions (In mm)	597x123.8x259



IP 44



Light Source
LED



UL
Listed



Recycle as
appropriate



-10°-45°C



3 hours

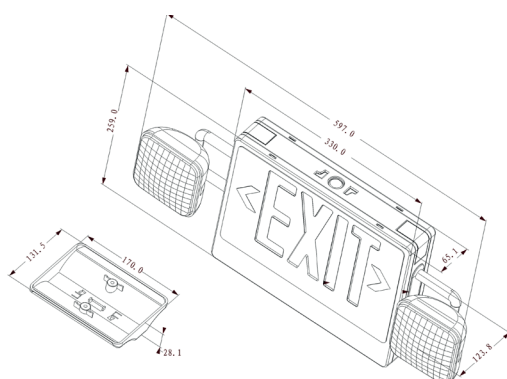
Key Features:

- Fire retardant ABS housing
- Innovative design, Universal mounting
- Uses highly active LED light source
- Long life
- Rated to IP44

Ordering Codes:

ESC2083 (Square) -
 Emergency & Exit luminaire, Wall Mount

Product Size: (L X W X H)



Specifications are subject to change without notice.

For further information, please contact:

Exenture Europe BV
 Banjaard 2, 2134 WS Hoofddorp, Netherlands
 Tel.: +31328-815-587
 info@exentureglobal.com | www.exentureworld.com



CEDAR ESC2084

Supply Voltage	220-240VAC 50-60Hz
Wattage	8W
Battery Specifications	6V 4.5Ah Lead Acid Battery
Light Source	12pcs LED
Emergency Time	3 hours
Charging Time	24 hours
Emergency Mode	Maintained
Operating Temperature	-10°-45°C
Mounting Options	Wall Mount
Viewing Distance	30m
Luminous Flux	200lm
Color Temperature	6000-6500k
IP Rating	IP44
Material	Fire retardant ABS housing
Product dimensions (In mm)	597x123.8x259



IP 44



Light Source
LED



UL
Listed



Recycle as
appropriate



-10°-45°C



3 hours

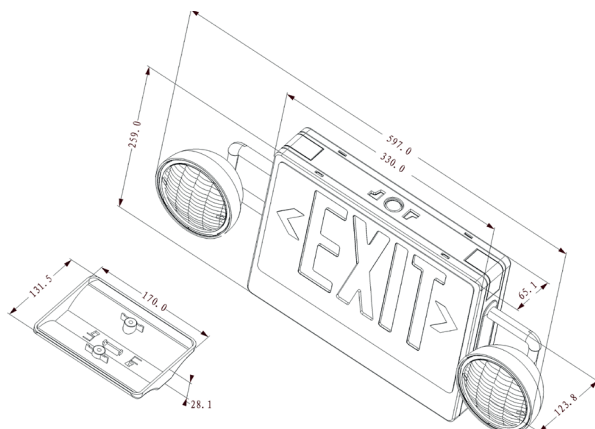
Key Features:

- Fire retardant ABS housing
- Innovative design,
- Universal mounting
- Uses highly active LED light source
- Long life
- Rated to IP44

Ordering Codes:

ESC2084 (Round) -
Emergency & Exit luminaire, Wall Mount

Product Size: (L X W X H)



Specifications are subject to change without notice.

For further information, please contact:

Exenture Europe BV
 Banjaard 2, 2134 WS Hoofddorp, Netherlands
 Tel.: +31328-815-587
 info@exentureglobal.com | www.exentureworld.com

Design Considerations & Concepts

Introduction:

Emergency lighting as the term implies is lighting for an emergency situation when the main power supply fails. The loss of mains electricity could be the result of a fire, power cut or local circuit failures and causes the normal lighting supply to fail. This may lead to darkness and a possible danger to the occupants, either through physical danger or panic.

Emergency lighting is normally required to operate fully automatically or give illumination of sufficient level to enable people of all ages to evacuate the premises safely.

As most new buildings have emergency lighting installed during construction, the design and type of equipment is normally specified by the relevant local authority, architect or consultant.

When the designer is faced with a blank canvas of a new project, he should take stock of the type of building, location, usage and compile a story board to achieve a satisfactory design for a reasonable cost which not only meets all the legislation, standards and codes of practice but also is practical in its use and maintainability.

Standards:

It is recommended that the design shall satisfy all of the conditions determined in the following documents

- Local authority requirements
- Fire & Safety Codes for the region
- BS5266-1:2005 Emergency Lighting Code for Practice for Emergency Lighting Premises
- BS5266-3:1998 Emergency Lighting Code of Practice for electrical low mounted way guidance systems for emergency use
- BS5266-3:1981 Emergency Lighting Specifications for small power relays (electro-magnetic) for emergency lighting applications up to and including 32A
- BS5266-4:1999 Emergency Lighting Code of practice for design, installation, maintenance and use of optical fibre systems
- BS5266-5:1999 Emergency Lighting. Specification for component parts of optical fibre systems
- BS5266-6:1999 Emergency Lighting Code of practice for non electrical low mounted way guidance systems for emergency use. Photo luminescent systems
- BS5266-10:2008. Guide to the design and provision of emergency lighting to reduce the risks from hazards in the event of failure of the normal lighting supply
- BS EN 1838L1999 (Also numbered BS 5266-7:1999) Lighting applications - Emergency Lighting
- BS EN 50171 - Central Power Supply systems

- BS EN 50172 : 2004 (Also number BS5266-8:2004) Emergency Escape Lighting Systems
- BS EN 60598-2-22:2014 Luminaires - Part 2: Particular requirements - Section 2-22: Luminaires for emergency lighting

Type of Emergency Lighting Systems:

Most emergency lighting schemes fall into one of the following categories:

- **Non-maintained.** The emergency light unit only illuminates in the event of a mains failure
- **Maintained.** The emergency light units are illuminated at all times using the same lamps for both normal and emergency operation.
- **Sustained.** The emergency light units are fitted with two lamps or two sets of lamps. One of which operates on mains 240V AC supply and the other which operates from the battery supply in the event of a mains failure. It is basically a non maintained system with the addition of mains lamps which should be illuminated whenever the premises are occupied.

Coverage of Emergency Lighting:

As denoted in BS5266, the requirement under statute is for emergency lighting to be provided in the following instances:

Escape Route: Emergency escape routes, intersections of corridors and exit doors requiring illumination must be provided with emergency lighting of adequate intensity in case the lighting fails. Outside each final exit and on external escape routes

Signage: Adequate provision of signs protected by emergency lighting. Signs should be located at all final exits and also on the escape routes at any location where the route may be in doubt.

Staircases and Changes in Floor Level: Stairways should be illuminated so that each flight and change of level receives adequate light

Open Areas: Areas >60m²

Small Spaces: Windowless rooms and toilet accommodation exceeding 8m²

Fire Fighting Equipment: Fire Fighting Equipment

Fire Fighting Equipment: Fire Alarm, Manual Call Points

High Risk: Areas where hazardous activity occurs. The area has to be made safe or terminated or where people may pass by

Equipment: Equipment that would need to be shut down in an emergency

Specifications are subject to change without notice.
 For further information, please contact:

Exenture Europe BV
 Banjaard 2, 2134 WS Hoofddorp, Netherlands
 Tel.: +31328-815-587
 info@exentureglobal.com | www.exentureworld.com

Design Considerations & Concepts

Requirements, standards & specification:

1 The design specification, selection and installation of an emergency lighting system is covered by an extensive range of international legislation, standards and local authority jurisdiction. The project specific requirements and user, customer preferences should also be considered in this initial stage of design. The commonly used standards are EN Standards and BS Standards

Mandatory lighting locations:

2 Risk assessment comprises the next stage of positioning and selecting the emergency light equipment according to the nature of area to be protected. This should cover specific hazards and highlight safety equipment and signs.

Exit signage:

3 Directional sign is required when sight of an emergency exit is not possible or doubt may exist. It should be noted that all the emergency escape route signs and luminaires should be of the same design format till the final emergency escape exit

Escape routes:

4 Escape routes lighting level after positioning of all mandatory luminaires and exit signages. It may be necessary to provide additional luminaires so that a required light level is reached along a escape route. This is done by identifying the maximum permissible distance between each luminaire type or from the wall. The photometric data of the luminaire clearly provides the distance so that the required lux level is maintained.

Lux level calculations:

5 Lux level calculations provides a detailed graphical representation showing the lux levels and the number of luminaires that would be required to suffice the requirement by the relevant standards and regulations

Self contained or Central battery systems:

6 Self contained system utilize their own battery, charger and change-over circuits. They also include conversion kits that can be used to enhance mains fluorescent luminaires, enabling them to provide illumination in the event of a normal power supply failure. The Central Battery System is linked to remote back-up supply which provides power in the event of a normal power supply failure. These are easier to test and maintain and are suitable and cost effective for large installations

Testing and maintenance:

7 The tasks that include the testing and maintenance should also be considered in the design as they would ensure complete system integrity and capacity to fulfil its task at all times. Essential servicing should be well defined to ensure that the system is fully operational.

Specifications are subject to change without notice.
For further information, please contact:

Exenture Europe BV
Banjaard 2, 2134 WS Hoofddorp, Netherlands
Tel.: +31328-815-587
info@exentureglobal.com | www.exentureworld.com

Key Teknoware References

Finland

- Are Census House, Head Office, Vantaa
- Best Western Premier Hotel Katajanokka, Helsinki
- City Office Building, Lappeenranta
- Clarion Hotel, Helsinki - Vantaa Airport
- Finnish National Opera, Helsinki
- Head Office of Finnish Post, Helsinki
- Helsinki – Vantaa Airport, Vantaa
- Hotel Sirkantahti, Levi
- HUS – The Hospital District Od Helsinki and Uusimaa, Helsinki
- Imatran Kylpyla Hotel and Spa, Imatra
- Iso Omena Shopping Mall, Espoo
- Kamp Galleria Shopping Mall, Helsinki
- Kampin Keskus Shopping Mall, Helsinki
- Kiasma Museum of Contemporary Art, Helsinki
- Lantera Shopping Mall, Helsinki
- Learning Center Roihuvuori, Helsinki
- Leppavaara Shopping Center, Espoo
- Mikkeli Central Hospital, Mikkeli
- Myyrmäki Training Station, Vantaa.
- NCC Construction Company Head Office, Helsinki
- Okmetic Oyj, High Tech Company, Vantaa
- Opinmäki School and Day Care Centre, Espoo
- Oulu University Hospital, Oulu
- Paijat Hame Central Hospital, Lahti
- Peurunka, Hotel and Spa, Laukaa
- Real Estate OY Ornant, Helsinki
- Seinäjoki Health Centre, Seinäjoki
- Shopping Center Lauttis, Helsinki
- Shopping Center Matkus, Kuopio
- Sokos Hotel Hamburger Bors, Turku
- Tampere Workers' Theatre, Tampere
- The Sibelius Concert Hall, Lahti
- The Lahti City Hospital, Lahti
- The S-market Hennala, Lahti
- Tipotie Social Services and Health Care Centre, Tampere
- UPM Headquarter, Helsinki, Finland
- Vocational School Keuda Paatela, Järvenpää
- West Terminal 2, Port of Helsinki

Estonia

- Hotel Radisson SAS, Tallinn

- Kunstimuseo Art Museum, Tallinn
- Meriton Old Town Garden Hotel, Tallinn, Estoni
- Sakuhall Tallinna, Sports Hall
- Tallinna Lennujaam, Airport
- Uhisbank, Bank in Tallinna

Denmark

- Biogen Idec Biotech Company,
- City Campus Aalborg University
- IKEA Aarhus
- Jyske Bank Boxen Arena
- Kibrary of Herning
- Rockwool Hobro Factory
- University College

Norway

- Farmanstredet Shopping Center, Tonsberg
- Magasinet Shopping Center,
- Hospital of Vestfold, Tonsberg

Sweden

- COOP Stores
- Leo's Lekland, Stockholm
- Mauritsberg Slott Hotel and Conference Center
- Malmo Arena
- Hotel with Urban Dell
- Vitlycke Museum, Tanumshede
- Victoria School, Skara

Latvia

- Stockmann Riga Shopping Mall

Iceland

- Hotel Radisson SAS, Reykjavik
- Harpa Music Hall, Reykjavik

Hungary

- Gyor Hospital, Gyor
- Petz-Aladar Teaching Hospital, Gyor
- University of PECS, Pecs

The Netherlands

- ABN AMRO Bank
- Radboud University, Nijmegen

Austria

- Burg Castle, Lockenhaus
- Rabenhof Theatre, Vienna

Switzerland

- Geopolis University, Vaud

Slovenia

- Crystal Palace Tower, Ljubljana

Russia

- Eremitage Museum, St. Petersburg
- IKEA Jekaterinburg, Russia

Turkey

- Istanbul Tower

Africas:

- Senegal Airport
- Hilton Kampala, Kampala
- Office of the Vice President, Angola
- Hyatt Regency, Arusha, Tanzania

Egypt:

- Vox Cinemas - Mall of Egypt
- National Bank of Egypt Bolkas Branch
- Sama Al Madi Branch Helwan Branch

Palestine:

- Palestine Monetary Authority
- Qattan Foundation Building

India:

- State Bank of India Datacenter, Hyderabad
- Birla Centurion, Mumbai
- Finland Embassy, Delhi
- Zee Entertainment, Mumbai
- NIT, Jalandhar
- STPI, Mohali
- Saint Gobain, Chennai
- Swiss Re, Bangalore
- Amazon Development Centre India Pvt Ltd., Bangalore
- Amazon Seller Services, Bangalore.
- JNPT and Bharat Mumbai Container Terminal Pvt Ltd., Fourth Container Terminal project – Phase 1
- ITI Trimax, Bangalore
- HSBC Pune
- HDFC, Zenith
- IBM, Bangalore
- IBM, Hyderabad
- Sandisk, Bangalore
- Technova CyberOne, Navi Mumbai
- DHFL, Mumbai
- HERE, Airoli
- NCR, Hyderabad
- United Phosphorous Ltd, Mumbai
- Piramal, Pune
- Lupin, Pune
- United Bank of Switzerland, Mumbai
- Nokia, Mumbai
- Altico, Mumbai
- Abott, Pune
- SRM Hotel, Chennai
- NCR Corporation India Pvt. Ltd., Hyderabad
- Idea, Mumbai
- MBC Infotech Park, Thane
- Barclays Bank, Pune
- ITC - Greens Center, Bangalore
- ITC Dairy - Bihar
- ITC - ICML, Panchla
- ITC - Bhadrachalam

Key Teknoware References

- ITC - Hyderabad
- ITC - Kolkata
- ITC - ICML Facility, Trichy
- ITC - Toopran
- ITC - Kapurthala, Punjab
- ITC - Tribeni, West Bengal
- ITC PSPD - BCM, Hyderabad
- ITC WelcomHotel, Vadodara
- ITC Fortune Hotels, Coimbatore
- ITC Kohenur, Hyderabad

Pakistan:

- Marghalla Building
- Packages Mall
- BRT Metro Green Line Bus Project
- Hyundai Nishat Motor Limited
- Telenor Headquarter Building

Srilanka:

- Browns Beach Hotel, Colombo

State Of Qatar:

- Al Ansar Residential Complex
- Al Bidda Car Park
- Al Fardan Villa
- Al Saad Mall
- Al Samariya Traders Hotel
- Al Waab Health Care Centre
- Asset Affairs Bldg - Ashgal
- Centre Point - Doha Festival City
- Cheverlot Showroom
- Doha Church
- English School - Al Wakra
- FIFA 2022 - Khalifa Stadium
- Harvey Nichols Stores - Doha Festival City
- Hilton Double Tree
- Hyatt Plaza - Villagio Mall
- Jude Tower
- Kempenski - Marsa Malaz
- Lexus Showroom
- Marina Yatch Club
- Ministry of Interior HQ Bldg
- Mirqab Mall
- Navigation Tower
- New Doha International Airport
- New Doha Port - Package 57
- New Doha Port - Package 64
- North Gate Mall
- Palm Tower
- Parade Pavillion
- Porto Arabia Parcel 3A / 3B / 8A / 16A / 28 / 10B / 14 / 15A & 15B
- Premier Inn
- Qatar Museum Authority HQ
- Regent Hotel
- Salwa Beach Resort
- Sidra Village Staff Housing
- Souq Waqif Car Park
- Tawar Mall
- Toyota Tower
- Traffic and Patrol Headquarters
- Um Sharain Manateq Warehouses

- Viva Bahariyah - 3 / 4 & 5
- Vox Cinemas - Doha Festival City
- World Trade Center
- Zengo Restuarant
- Karwa Bus Showroom
- Commercial Building for Bin Mahmoud
- Family Entertainment Center Qatar
- Metro - Depot DT-14 Qatar Metro - Stabling Yard
- Lusail Neighborhood Retail
- B+G+7 Mansoura Hotel Project
- Angry Birds Entertainment Centre
- Manateq HQ project
- Qatar Airways - Oryx School
- Doha Arch
- Wakrah Transport Office
- Novo Cinemas
- Mixed Use Development on Airport Road, Doha
- Westin Hotel, Doha
- Falcon Hotel, Al Saad Mall
- Substations - Dukhan Road

Kingdom of Saudi Arabia

- Al Battayor Tower
- ETIDAL Control and Command Center
- Bisha Hospital
- Jawharah Tower - Jeddah
- KAFD Grand Mosque
- KAFP Convention Center
- KAFP Sofitel Hotel
- King Abdul Aziz Center for Knowledge and Culture Project
- King Abdullah Financial District
- King Abdullah Sports City
- King Fahd Air Base – Taif
- King Saud Bin Abdulaziz University for Health Sciences – Jeddah & Hofuf
- King Saud University
- Laith Hospital
- Makkah Metro – Phase 1
- Marriott - Diplomatic Quarter
- Mekwah Hospital
- Obeikan Hilton Tower, Riyadh
- Omran Hospital
- King Salman Palace
- Princess Nourah University Monorail Stations
- Princess Sarah Bint Sudairy Feminine Research Center
- Radisson Blue Hotel - DQ
- Siemens Energy Hubb, Dammam
- Majdoul Tower - Riyadh
- AKH Tower - Dammam
- Shaza Hotel - Riyadh
- VOX cinemas - Riyadh Park Mall
- Ta'aziz Tower
- Park Inn Hotel Riyadh
- Hilton Hotel Mawten
- Vox Cinemas - Red Sea Mall

Bahrain

- Gulf Corporation for Technology Warehouse
- IKEA Showroom
- S Hotel
- Ramada City Centre Hotel

Sultanate of Oman

- Muscat International Airport
- Maintenance & Yard Building - Muscat International Airport
- ADAM Airbase
- Saray Bandar Jissah Hotel Royal
- Hospital extension
- Reverse Osmosis Plant

United Arab Emirates

Abu Dhabi & Al Ain

- Vox Cinemas - Yas Mall
- Caravanserai Hotel, Liwa
- Etihad Rail - Phase 1
- Abu Dhabi Ports Company Khalifa Port
- Sir Baniyas Island
- Waitrose Supermarket, Ethihad Tower
- Eros Electricals Outlet
- Subway Park
- IKEA Showroom Yas Island
- Saadiyat Beach Apartments
- IPIC Building
- Abu Dhabi Mall
- Aloft Hotel, Al Ain
- Wahat al Karama (Memorial Park)
- Abu Dhabi Educational Council
- Future Schools
- Bateen
- Aliyah
- Riffaa
- Al Shaheen
- Al Foa
- Al Falah
- Baniyas
- Shamkha
- Shawamekh
- Qadissiya
- Zayidiyah
- Hessa
- Tafawooq
- Hemma
- Marina Bloom
- Shabat Plaza
- ADNOC Facility, Ranya
- District Cooling Plant
- Delma Mall, Abu Dhabi
- Deerfields Mall

Dubai:

- Vox Cinemas - MoE
- Vox Cinemas - DCC
- Vox Cinemas - Shindaga
- Reel Cinema - Dubai Mall
- Reel Cinema - Box Park

Key Teknoware References

- Saudi German Hospital
- New Medical Center, DIP
- Biomedicum Medical Research & Training Center,
- Red Crescent Office
- Medic Office
- Mediclinic, Health Care City
- Aster Hospital
- Remraam Housing
- Dubai Metro - Depots Rashidiya
Al Qusais
Jebel Ali
- Dubai Metro - Car Parks Rashidiya
Al Qusais
Nakheel Harbour Tower
- W Hotel & Residences, Palm Jumeirah
- Alef Residences, Palm Jumeirah
- Bvlgari Hotel and Residence
- Emirates Flight Training Center
- Deira City Center
- JAM Tower
- VIP Suite - Atlantis Hotel, Palm Jumeirah
- KIA | Hyundai Car Showroom, Dubai
- Apple Store, MoE
- Apple Store, Dubai Mall
- Marriott Residences, Business Bay,
- Hub Zero, City Walk
- Uptown Mall, Mirdiff
- Agents Building, Dubai World Central
- Avenue Hotel, City Walk
- Living Planet, Dubai Science City
- Dubai Frame
- ARJ Tower
- Swiss International School
- Dubai Lagoon
- Hilton Garden Inn
- DAMAC Heights
- 3B+G+3P+HC+Mech. Floor+38 Residential Building, Business Bay
- Infinity Tower, Dubai Marina
- Radisson Blue, SZR
- Al Mizan Development
- Capital Bay, Business Bay
- Dragon Mart Hotel
- 6B+G+3P+Mech. Floor+34 Office Tower, Business Bay
- B+G+M+5+Roof, Business Atrium, Oud Mehta
- Dubai Gate Towers, JLT
- Dorra Bay Tower, Al Barsha
- 2B+G+44 Res. & Com. Bld. Dubai Marina
- Premier Inn Hotel - DIP
- Premier Inn Hotel - DSO
- Premier Inn Hotel - Garhoud
- Warwick Hotel
- HH. Sheikh Mohammed's Villa
- 2B+G+29 Residential & Commercial Building, Al Barsha
- 1B+G+4P+25 Office Building, Dubai Sports City
- B+G+24 Mixed Use Development, Dubai Marina
- G+2 Staff Accommodation, Al Barsha
- Samara Gold Factory, Emirate Hills
- 2B+G+5 Commercial Building, DMC
- Flora Hotel Apartments, Dubai
- Commercial Building for Al Mazroui, Al Barsha
- 2B+G+10 Commercial Building, International City
- 5B+G+10 Mixed Use Development, Deira
- 2B+G+18 Building, Al Nahda, Dubai
- B+G+10+Roof Residential Building, International City
- Twin Tower Mixed User Building - Al Nahda
- Ivory 1, Business Bay
- B+G+6 Hotel Building, DSO
- B+G+12 Office Building, Al Nahda
- Ivory 2, Business Bay
- 2B+G+13 Residential Building, TECOM
- B+G+9 Residential Building, Al Muhaisnah
- 3B+G+9 Office Building, Al Muhaisnah
- 2B+G+14 Residential Building, Dubai Sports City,
- 2B+G+13 Residential Building, Dubai Sports City
- 3B+G+14 Mixed Use Development, Al Barsha
- B+G+12 Residential Building, Al Barsha
- 2B+G+22 Mixed Use Development, TECOM
- 3B+G+10 Residential Building, Jumeirah Village
- 3B+G+4 Residential Building, Jumeirah Village
- 2B+G+14+Roof Res. Bld. TECOM
- B+G+12+Roof Residential Building, Al Nahda
- Emirates Staff Housing, Dubai
- Al Shamsi Office Building, Oud Mehta, Dubai
- 2B+G+4P+16 Residential Building, Al Nahda
- Bay Gate Tower, Business Bay
- Bay Central
- Lavista Residence
- Orra Marina
- Daffodil Tower
- Crowne Plaza - Dubai Festival City
- Crowne Plaza - Business Bay
- Marina 101, Dubai Marina
- Madina Mall, Al Muhaisnah
- Royal Amwaj, Palm Jumeirah
- Crystal Tower, Business Bay
- D1 Tower, JBR
- G+4 Residential Building, DWC
- First Avenue Mall
- Dubai Safari - Phase 1 & 2
- 2B+G+4+Gym Building
- The Ribbon - Motor City
- Nilafoor Cultural Village
- Umm Ramool School
- Bin Shafar Residential Tower
- Belhasa Building, DSO
- Parklane Tower, Business Bay
- Safi Apartments
- West Area Residences
- National Paper Mill
- Execujet Dubai World Central
- Lulu Mall, DSO
- Silver Axis Tower, DSO
- Dubai Lagoon Residences
- Ajjal School
- Magic Planet, Burjman Mall
- Al Kamal School
- Topaz 1 Residences, DSO
- Topaz 2 Residences, DSO
- Topaz 4 Residences, DSO DAMAC
- Bay Edge
- DAMAC Distinction Tower DAMAC Views
- DAMAC Terrace
- Medcare Hospital for Women
- Orthopedic Specialty Hospital Kent College
- Cranleigh School
- Etihad Academy
- Swiss International Scientific School
- Kings School
- Plaza Towers, Deal Makers, Dubai
- Al Forno Restaurant, Dubai Mall
- Shake Shack Cafe, Dubai Mall
- Manolo Blahnik, Dubai Mall,
- IT Fashions, Dubai Outlet Mall,
- Porsche Design, Dubai Outlet Mall
- Caesar Office Fit Out, Dubai
- East Wing Limited, DIFC
- Sacoor Brothers, Dubai Outlet Mall
- Boots Showroom, Burjuman Center,
- Clairs, Dubai City Center
- Sangeetha Restaurant
- Wich Wich Sandwich Shop
- Funcity, Lamcy Plaza
- Emirates Concord Tower
- Najafi International Trading
- DAMAC Properties Office Humming
- Bird Learning Center Fine Arts
- Antique Services
- Qasar Restaurant
- Sabri Office
- Malabar Gold Showroom, Dubai
- Chennai Jewellery Showroom
- Values Strategic Office
- Al Nassar Office, Dubai
- DIP Warehouse

Key Teknoware References

- Plot No.004-015 TECOM Office Building
- Nayomi Showroom, Dubai
- Chivalty Saloon, Dubai
- Bunian Tower, Dubai
- Dewa Data Hub, Dubai
- Avanti Tower
- Fly Dubai Crew Training Center
- Canadian School, Dubai
- Al Khail Gate, Dubai
- Akira Restaurant - W Hotel
- Burj Nahar Mixed Used Development
- Westin Hotel - Al Habtoor City
- St. Regis - Al Habtoor City
- W Hotel - Al Habtoor City
- La Perle Dragone Theatre - Al Habtoor City
- Solar Innovation Center
- La Mer aka Jumeirah Open Beach
- Jewel of the Creek
- Harbour Residence - Dubai Marina
- Carrefour - Al Ghurair Center

Sharjah & Northern Emirates:

- Novotel Hotel
- Aster Hospital
- Maliha Hospital
- Ajman City Center
- Dibba Hospital
- Hilton Fujairah
- Bukhatir Tower
- Vox Cinemas - Ajman City Center
- Al Naeem Mall, Ras Al Khaimah
- G+35 Residential Building, Sharjah
- Safari Mall - Muweilah, Sharjah
- Al Helal Hotel - Al Nahda, Sharjah
- My City Center - Nasseriya, Sharjah
- Sheikh Khalifa Hospital, Fujairah
- Mohebi Logistics, Fujairah
- Rain Forest Cafe, Fujairah



Leading you to safety

Exenture Europe BV

Banjaard 2, 2134 WS Hoofddorp, Netherlands

Tel.: +31328-815-587

info@exentureglobal.com | www.exentureworld.com

LET THERE BE CONFIDENCE

The product images and drawings are for illustrative purposes and may not be an exact representation of the product. ESCALUX and Teknoware reserves the right to change product images and specifications at any time without notice.